

For reference only. See data sheet for the detailed specifications.

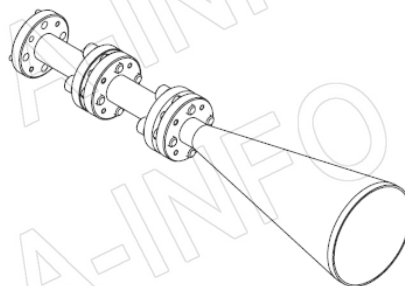
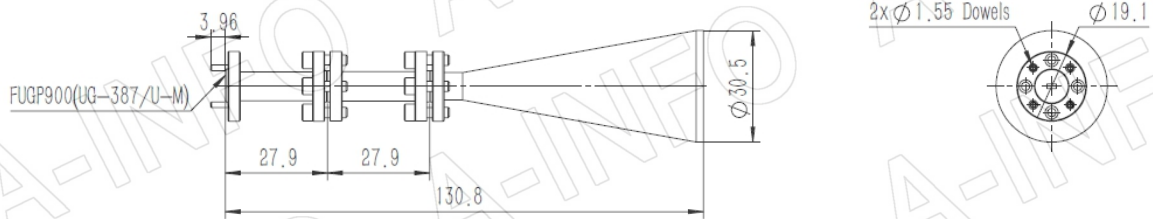
Technical Specification



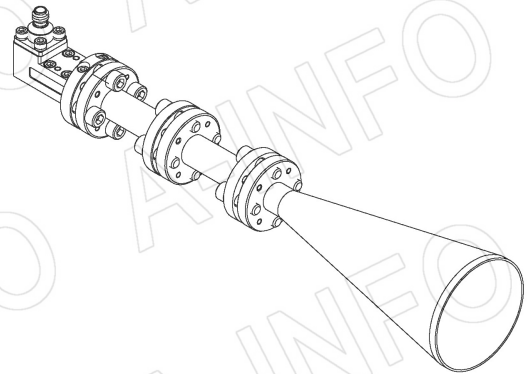
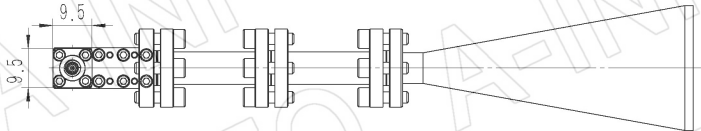
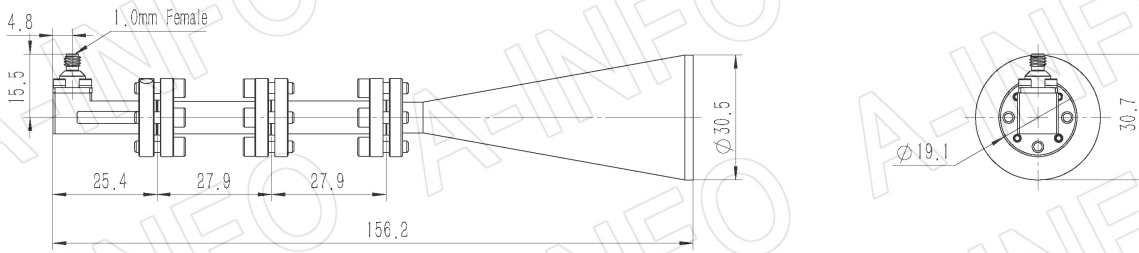
Frequency Range(GHz)	74.0 - 86.0
Waveguide	WR10
Gain(dBic)	25 Typ.
Polarization	LHCP
Axial Ratio(dB)	2 Typ.
	3 Max.
3dB Beamwidth(deg)	E Plane: 48 Typ.
	H Plane: 48 Typ.
VSWR	A Type: 1.20:1 Max.
	C Type: 1.80:1 Max.
Output	A Type: FUGP900(UG-387/U-M)
	C Type: 1.0mm-Female
Material	Cu
Finish	Gold Plated
Size(mm)	A Type: 30.5 x 30.5 x 130.8
	C Type: 30.5 x 30.7 x 156.2
Net Weight(Kg)	A Type: 0.09 Around
	C Type: 0.11 Around

Outline Drawing (Size: mm)

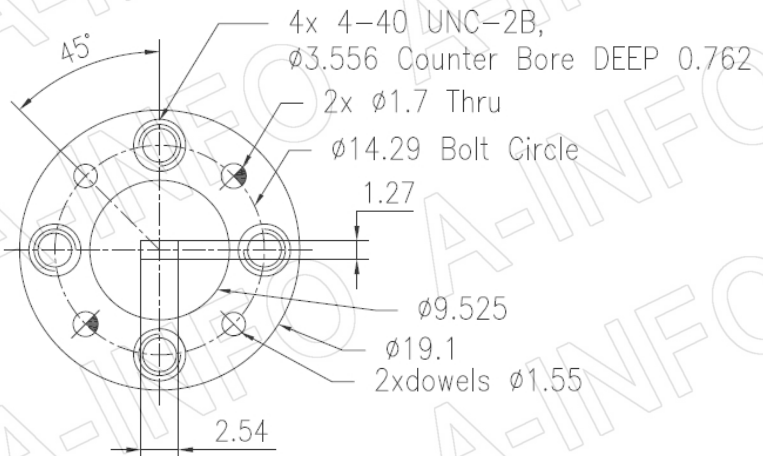
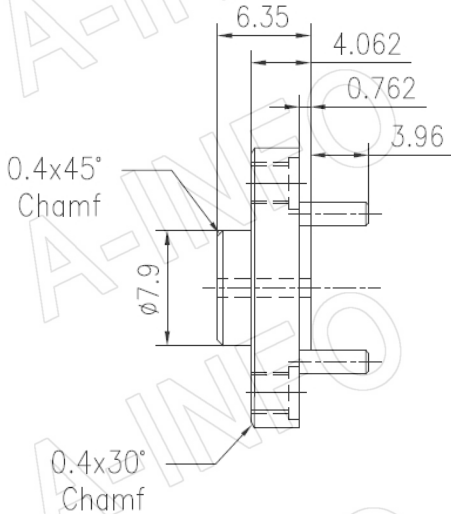
FUGP900 Output (P/N: LB-CNH-10-25-L06a-A)



1.0mm-Female Output (P/N: LB-CNH-10-25-L06a-C-1.0F)



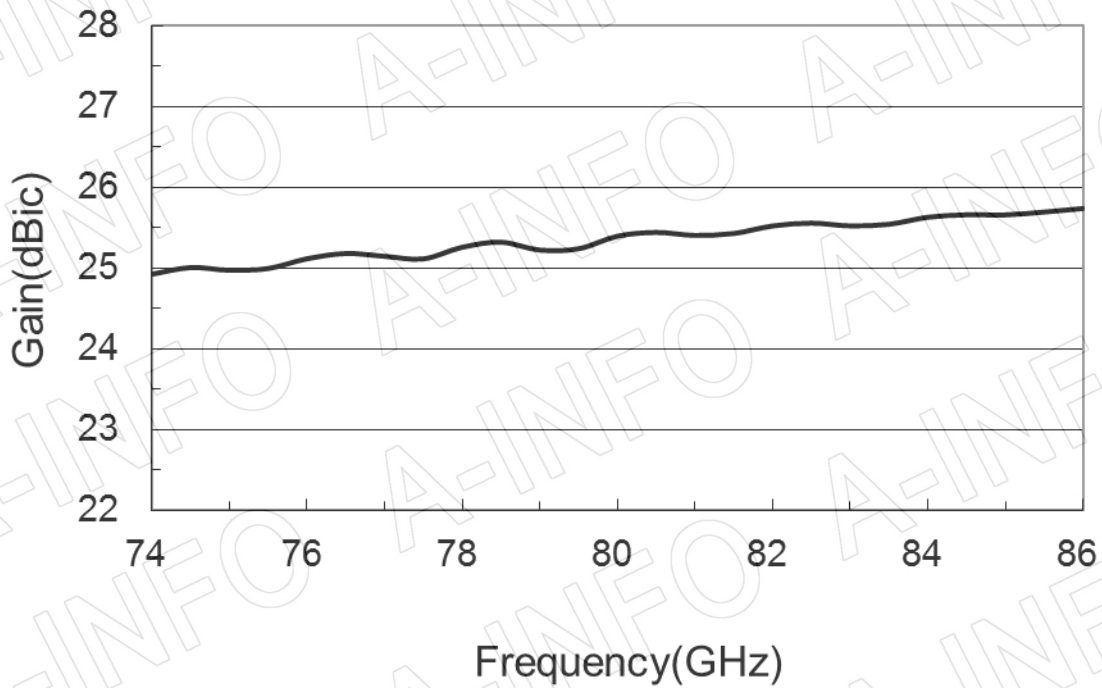
Flange Drawing (Size: mm)



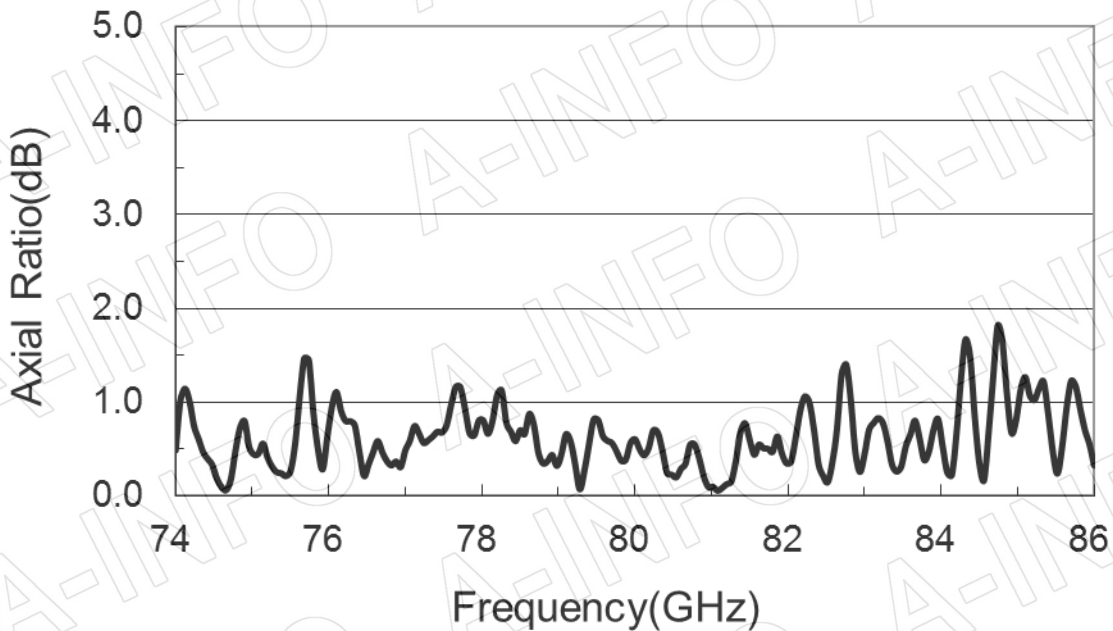
FUGP900
(equivalent to UG-387/U-M)

Test Results

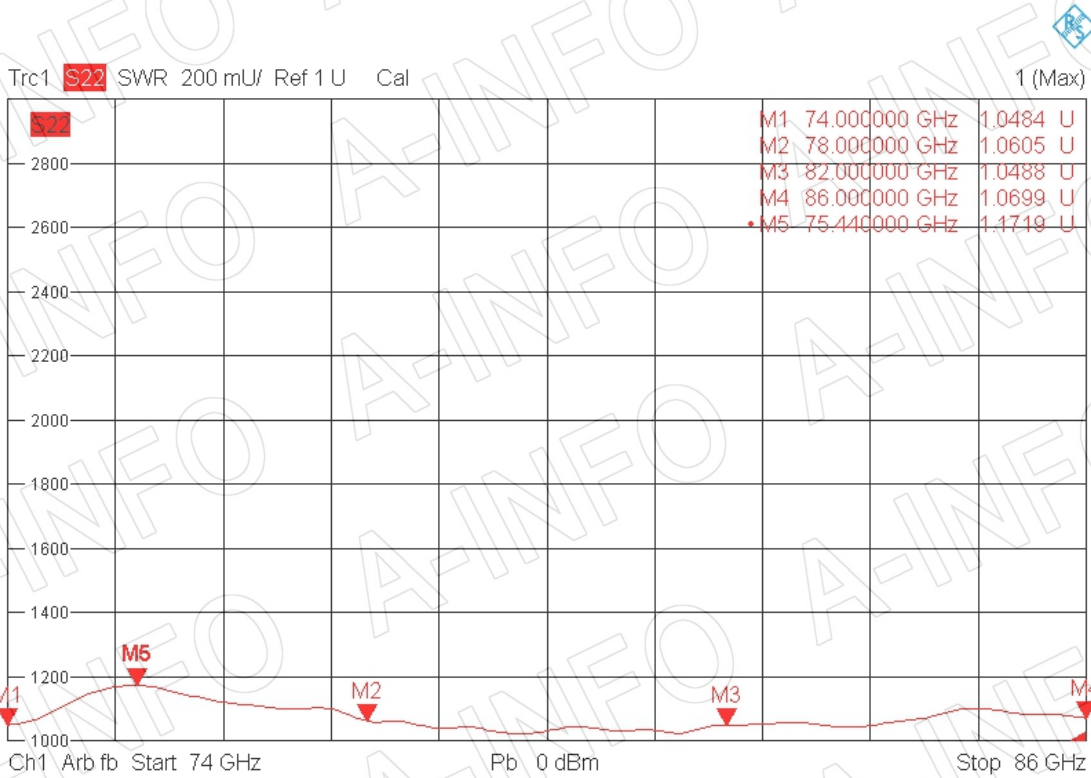
1. Gain



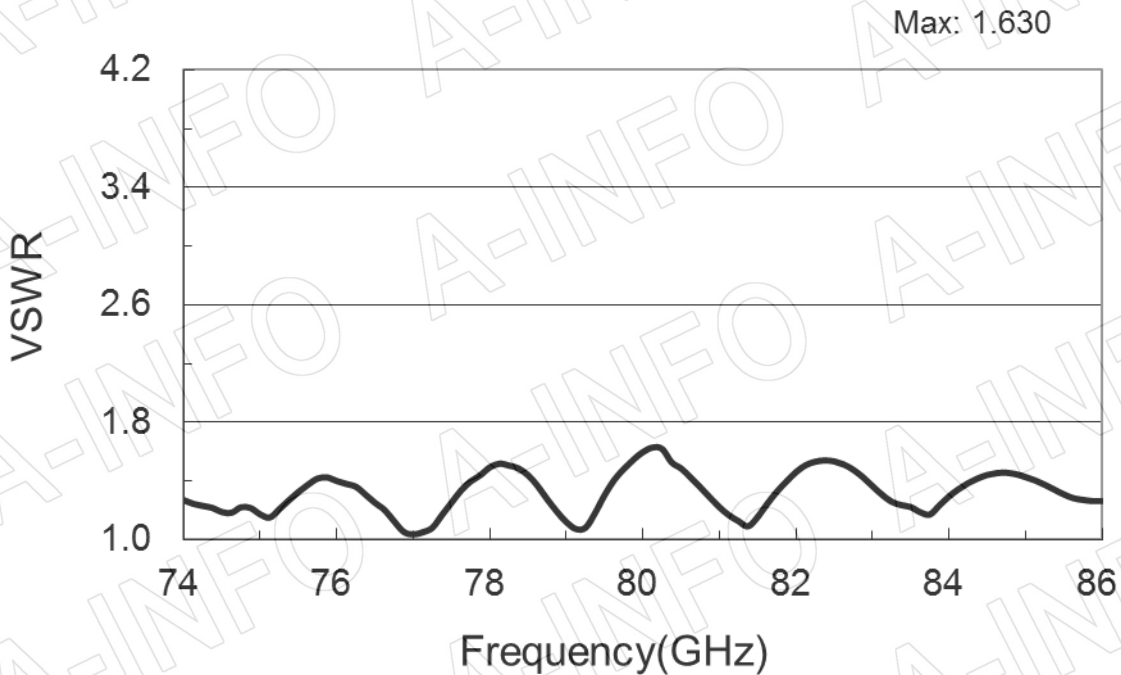
2. Axial Ratio



3. VSWR_A Type



VSWR_C Type



4. Pattern

